

ADSL/POTS

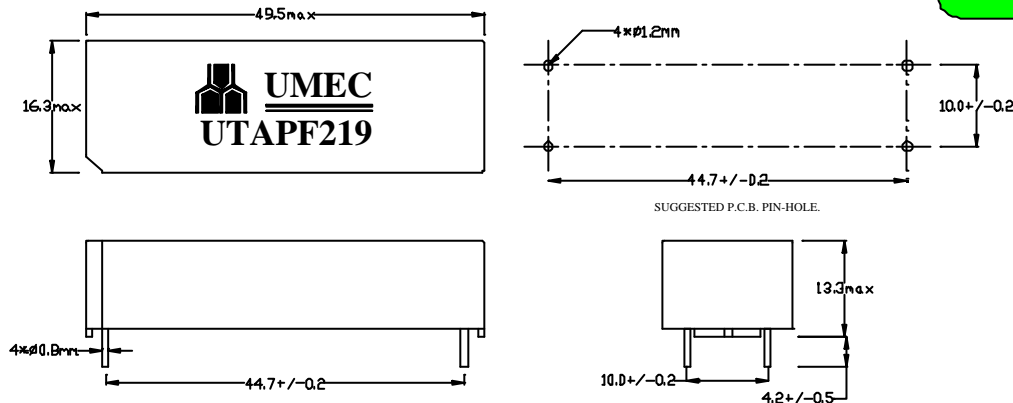
UM MODEL NO.:	SPECIFICATIONS	REV.	
UTAPF219	ADSL POTS CO SPLITTER	C1	2006/26

Electrical specification at 25°C:

- 1.) Impedance : $Z_R = 270\Omega + (750\Omega // 150nF)$; $Z_{SL} = 82\Omega + (600\Omega // 68nF)$.
- 2.) Total D.C.R. : 50Ω max. , PIN(2-3),PIN(1-4)connected .
- 3.) Insertion Loss : 1.0dB max. ,at 1K Hz ,Line to Phone ,Line with Z_{ADSL} , terminated impedance with $Z_R / 600\Omega$.
- 4.) Pass Band Ripple : ±1.0dB max. , 100Hz to 4000Hz , 1KHz 0dB ref,
Line to Phone , Line with Z_{ADSL} , terminated impedance with $Z_R / 600\Omega$.
- 5.) Attenuation : 55dB min. , 32KHz to 1.1MHz , Line to Phone , Line with Z_{ADSL} .
- 6.) Return Loss. : 12dB min.,100Hz to 3400Hz ,Line↔Phone ,Line with Z_{ADSL} ,terminated impedance with Z_R / Z_{SL} .
: 8dB min. ,3400Hz to 4000Hz ,Line↔Phone ,Line with Z_{ADSL} ,terminated impedance with Z_R / Z_{SL} .
- 7.) Longitudinal Balance : 40dB min. , 100Hz to 600Hz , Line to Phone.
: 46dB min. , 600Hz to 3400Hz , Line to Phone.
: 40dB min. , 3400Hz to 4000Hz , Line to Phone.
- 8.) Group Delay : 250μSec max. , 100Hz to 4000Hz .
- 9.) Line Side Impedance : 1.0KΩ min. , 32KHz to 1.1MHz ,PIN(1-4) .
- 10.) Isolation resistance : 5.0MΩ min. with 100V_{DC} ,PIN(1-2) to PIN(3-4).

Note: Designed to meet ETSI specification TS101-952-1-1 & TR 101 728-V1.2.1.

Schematic diagram & Dimensions:



- NOTE : 1. For RoHS compliant products:
- a.) UMEC Ordering Code: **TG-UTAPF219**
 - b.) Date Code suffix to "G" (xxxxG).
 - c.) Solder: Sn/Cu.
2. Specifications are subject to change without prior notice.

UNIT : mm



UNIVERSAL MICROELECTRONICS CO.,LTD.
TEL:886-4-23590096 FAX:886-4-23590129
http://www.umec-web.com Email:business@umec.com.tw

3,27TH RD.,TAICHUNG INDUSTRIAL PARK,
TAICHUNG,TAIWAN,R.O.C

E10-033-C