



Specification
of
**3Ru Chassis for CATV Integrate system
CHS-3UxUM Series**



**Universal Microelectronics
Photonics Division
Catalog 2008~ 2009**



3Ru chassis for CATV integrate system

Features

- 19" standard 3U rack design
- High density 13 slots

Applications

- Cable TV integrate system

Product Characteristics

Functional description

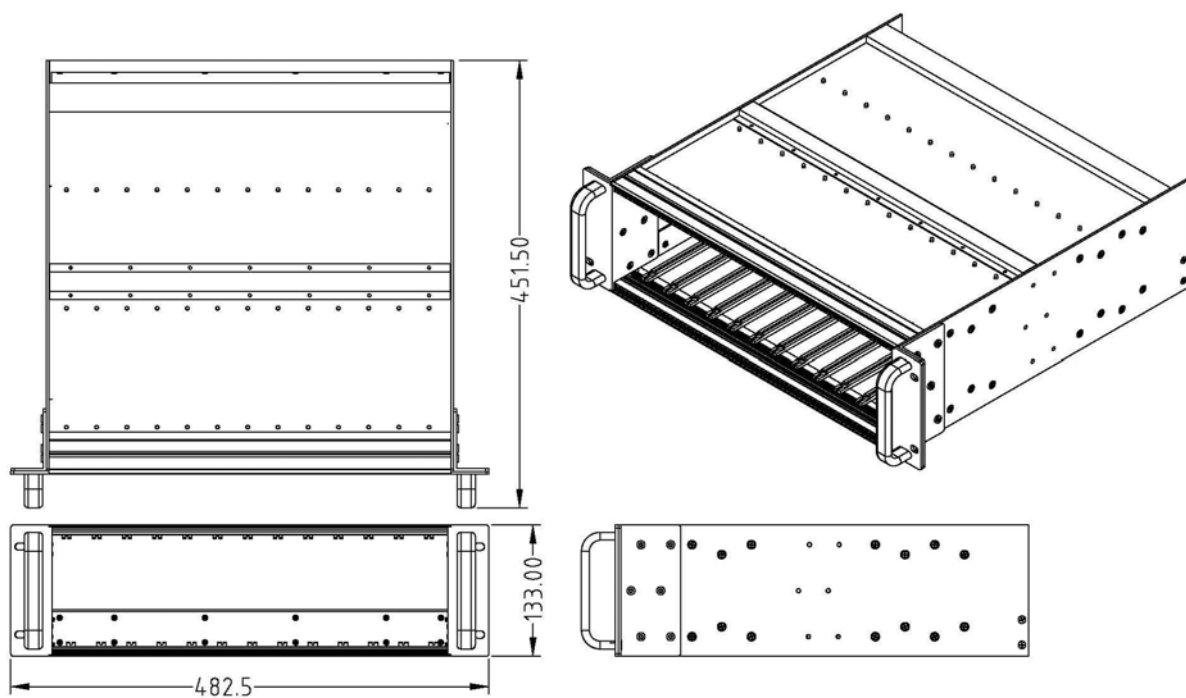
	Contents	Description
Slots for module	<ul style="list-style-type: none"> ● 13 slots 	First slot (left hand side) is for NMS module only. 12 th and 13 th slot is for power supply module, and at least plug one power supply. 10 th and 11 th slot can for redundant power supply (it is an option) or for forward transmitter module or dual return receiver module or network management system module. 2 nd to 9 th slots are for forward transmitter module or dual return receiver module or network management system module.
Module type	<ul style="list-style-type: none"> ● 1 slot width 	Forward transmitter module, dual return receiver module, network management system module
	<ul style="list-style-type: none"> ● 2 slots width 	PS-AC PS-DC module
Front Panel	<ul style="list-style-type: none"> ● color: gray 	aluminum
	<ul style="list-style-type: none"> ● with 2 handles 	
Rear Panel	<ul style="list-style-type: none"> ● 48pin, female x13 pcs 	48pin=12x4
Dimension	<ul style="list-style-type: none"> ● 482.5mmWx133mmHx451.5mmD 	
Internal size	<ul style="list-style-type: none"> ● 410mm W, 112mm H, 390mm D 	



Environmental specification

Operational Temperature Range	0 to 50°C (32 to 122°F)
Storage Temperature Range	-40 to 70°C (-40 to 158°F)
Relative Humidity	Max. 85% non-condensing
Mounting	19" EIA rack, 3RU space
Number of slot	13 slots *Include one network management module (option) + 12 slots
Dimensions	482.5mmWx133mmHx451.5mmD
Weights	3.5Kg

Mechanical outline

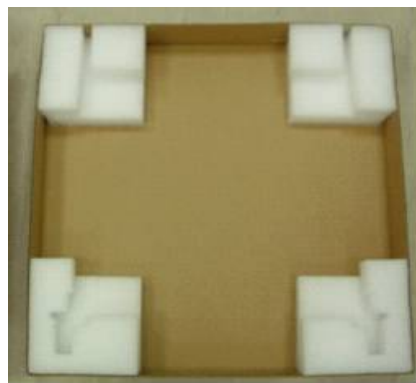




Packing List

Item	Name	QTY
1	3RU Chassis	1
2	Antistatic Bag	1
3	Test report	1

Packing Picture



Package Dimensions, mm.	L:590 x W:560 x H:260
Package Weight, kg	6.9

Ordering Information

CHS-3U-X-UM

