
Specification
of
3Ru Network Management System module
for CATV Integrate system
NMS-3U-UM



Universal Microelectronics
Photonics Division
Catalog 2008~ 2009

1. 3Ru network management system module for CATV integrate system

Features

- Module design for 19" standard 3U rack
- Hot swap
- RS232 direct connect
- Ethernet RJ-45, 10/100 Mbps, Half duplex, Auto-negotiation
- Ethernet auto
- Short circuit protection
- Module design

Applications

- Cable TV integrate system

2. User Interface (Front Panel)

STATUS LED	Green=Normal, Red=Alarm
ACT LED	Green light=The NM module is access data now No light= The NM module is not access data
LAN LED	Green=Ethernet port circuit link to PC No light= Ethernet port circuit not link
COM LED	Green=RS-232 port circuit link to PC No light= RS-232 port circuit not link
RESET Push Button	When press RESET push button, The NM module execute reset function
RS-232 Port	DB-9 female, direct connection, 19.2kbps

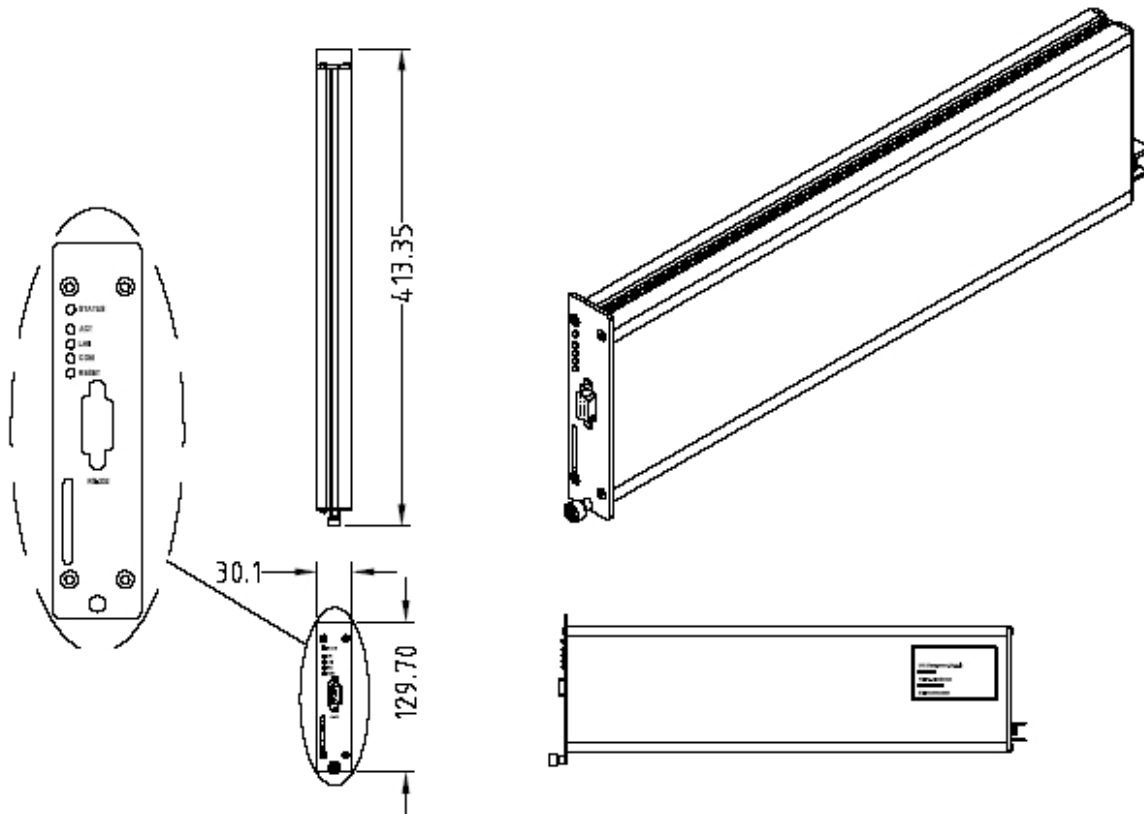
3. User Interface (Rear Panel)

Ethernet Port	RJ-45, SNMP, 10/100Mbps, Half duplex, Auto-negotiation
----------------------	--

4. Electrical/Environmental/Mechanical

Power Consumption	4 Watt
Occupy 1 Slot	Slot #1 for NMS Only
Operational Temperature Range	0 to 50°C (32 to 122°F)
Storage Temperature Range	-40 to 70°C (-40 to 158°F)
Relative Humidity	Max. 85% non-condensing
Dimensions	30.1mmW (x1 slot) x 129.7mm H x 413.35mm D
Weight	0.9Kg

5. Mechanical outline





6. Packing List

Item	Name	QTY
1	3RU EDFA Module	1
2	Antistatic Bag	1
3	Test report	1

7. Packing Picture



3RU SNMP Module

 P/N:PD-3NMSxxxxx

 S/N:xxxxxxxxxxx

Package Dimensions, mm.	L:504x W:84 x H:184
Package Weight, kg	1.2

Ordering Information

NMS- 3U-UM

